

# Spectral DataModel V2.0

Mark Cresitello-Dittmar, SAO



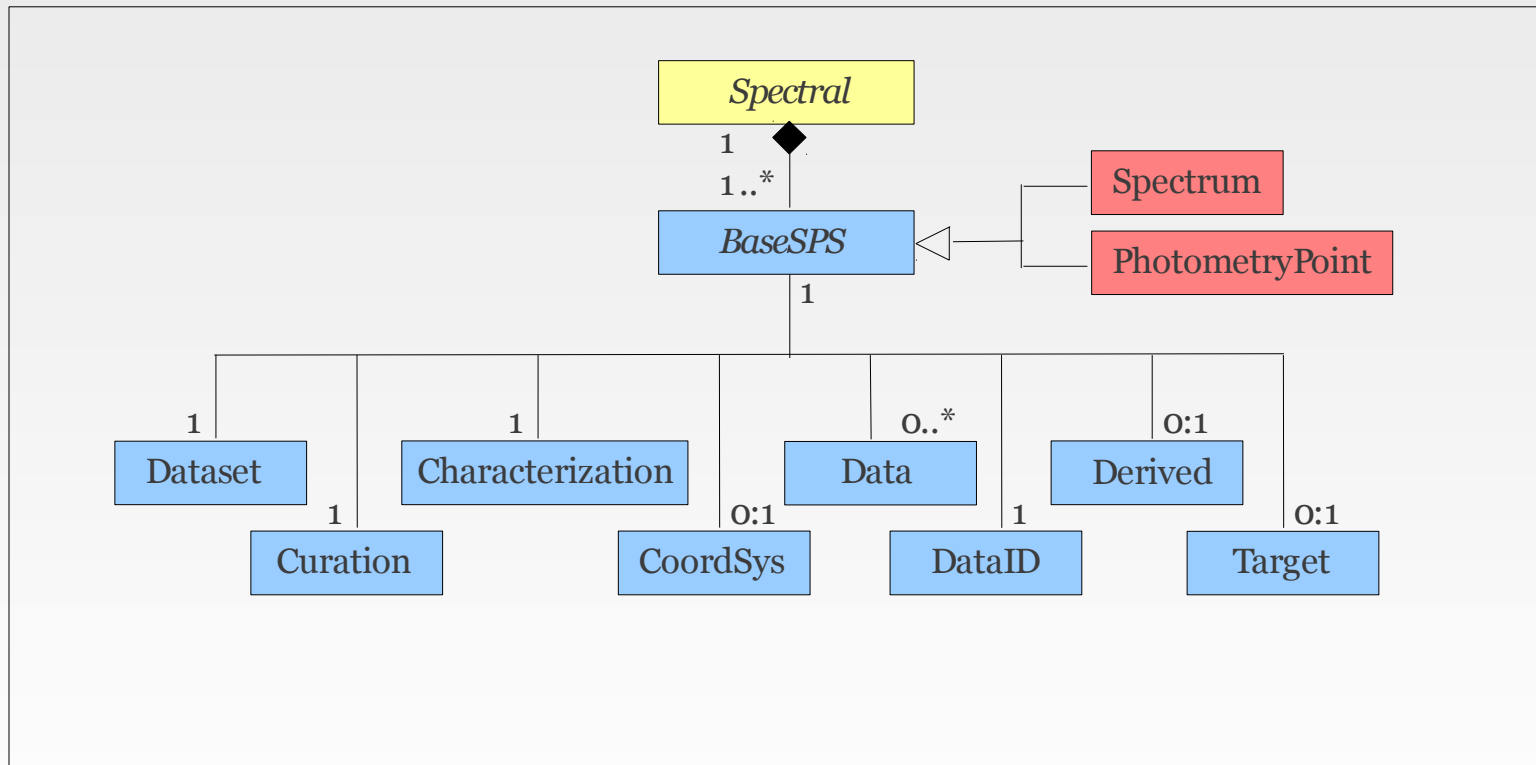


# Goals

- Primary
  - To extract a generalized model for Spectro-Photometric sequences to serve as a basis for specific case models.
  - To define Spectrum and PhotometryPoint models in terms of this base model.
  - To incorporate photometry filter model components.
  - To clarify and resolve issues from earlier versions.



# Base Spectro-Photometric Sequence





# Progress

- Since last interop
  - Review of document for typos
  - Incorporated working group comments regarding 'namespace'
  - Expanded DataModel object to contain reference information about models used
    - Name ('Spectrum')
    - Prefix ("spec")
    - URL (ref. URL for the model )
  - Incorporated suggested changes to UType strings which improve consistency between Spectral, Char2.0 and ObsCore.
  - Modified UCD specs for Spectral and Flux Axes
    - “stat.error;[Data.FluxAxis.ucd]”



# Progress (cont.)

- Posted revised draft to Documents page 07 Mar 2013
  - [www.ivoa.net/documents/SpectralDM/20130308](http://www.ivoa.net/documents/SpectralDM/20130308)
- Submitted to working group as proposed final draft, with 4 week review period.
- Ready to move to PR 29 Apr 2013
  - But...



# Future..

- NEED REFERENCE IMPLEMENTATIONS!
  - CfA is writing Java client library for use under Iris
  - Others?
    - Volunteers please see me, or Jesus.
- SED Model
  - Needed to tie all this together.